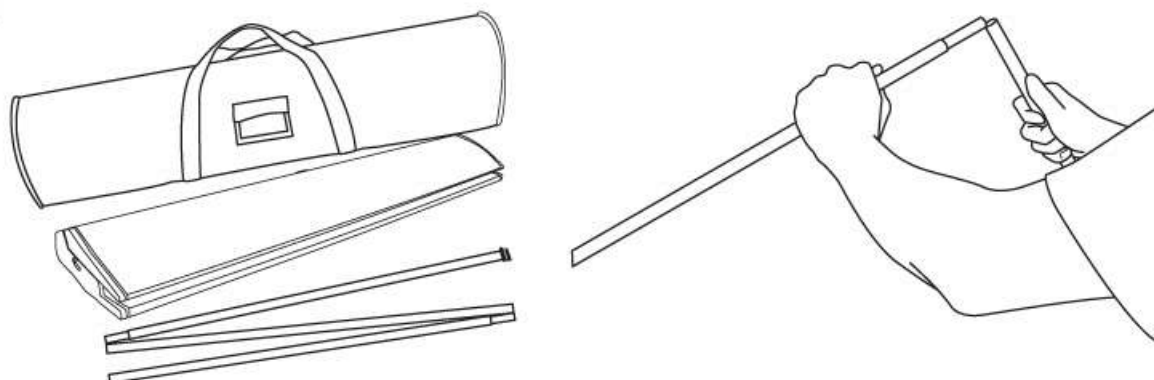


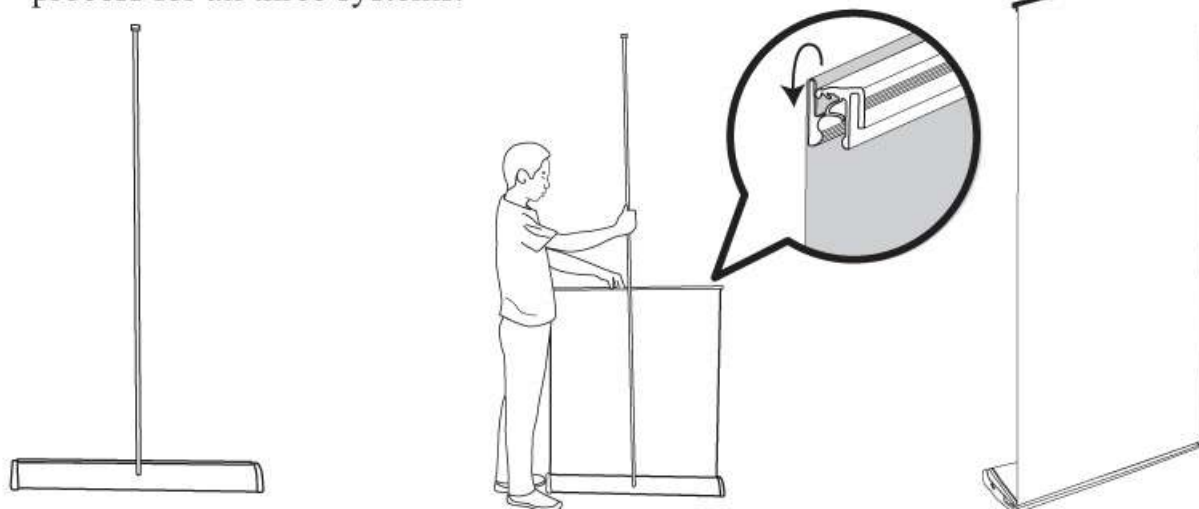
SET UP INSTRUCTION

3 - Parted Pole

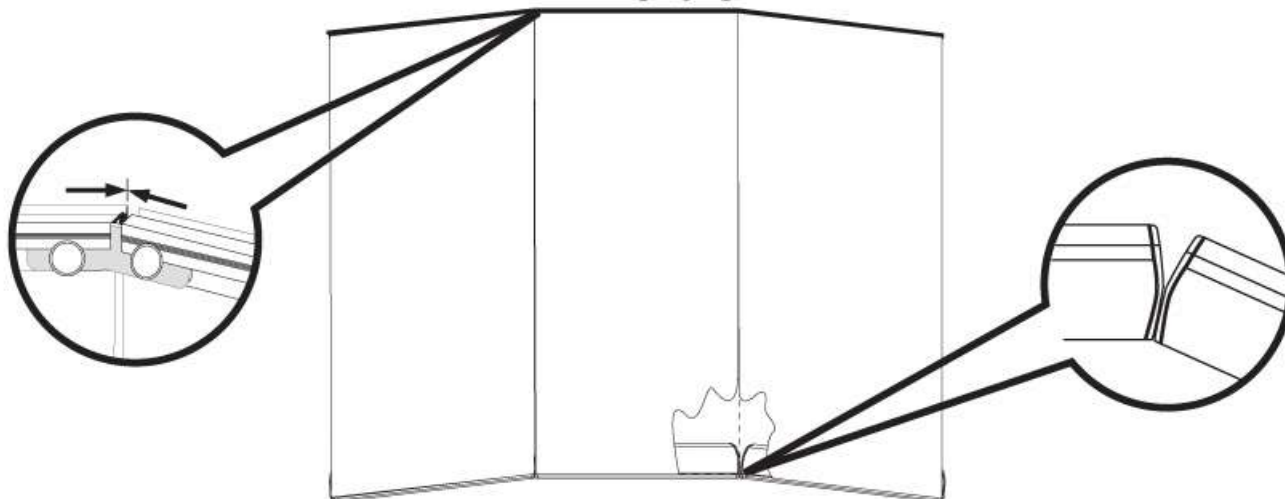
7. Remove the base unit and the 3 part pole from the carry bag, then unfold the pole to assemble it.



8. Position the pole in the plastic location point in the centre of the base. Gently pull the graphic upwards out of the base by holding the aluminium rail. Securely locate the rail over the plastic moulding at the top of the pole. Repeat this assembly process for all three systems.



9. Position the three bases close together to create a curved landscape graphic display. The wedge shaped design of the bases allow systems to be positioned close together at a pre set angle, so the graphics are almost touching each other. Connect the top aluminium rails of each adjacent system together by slotting a small angled locking bracket into the rear of each adjacent top rail. Then tighten the thumb screws to connect and hold the top rails of the adjacent systems close together. This will create an almost seamless landscape graphic wall.



SET UP INSTRUCTION

A Plan View/Front

